

The 25MT 3X3 TC is an all-road mini-crane equipped with a long-span hydraulic double-telescope jib.

It uses a **3-cylinder kinematic system** developed by **Mobilev Cranes** allowing for greater angular motion of the jib.

It has front drive wheels and can move sideways (along a transversal axis).

Its ground clearance may be hydraulically adjusted to facilitate the crossing of obstacles.

All speeds are adjustable from 0 to 100% with the wired remote control or with the radio remote control (optional).

Lastly, the 25MT 3X3 TC may also be equipped with the **“hydraulic winch” option**. Ideally installed on the mini-crane, the cable runs inside the jib for optimum safety, which is an innovation by **Mobilev Cranes**.



Technical specifications



Maxi load	2500 kg
Unladen weight (full options)	2800 kg
Admissible slope in 3X3 (unladen crane).....	22 %
Maxi translation speed	3 km/h
Adjustable lifting speed	from 0 to 15 cm/s
Adjustable telescoping speed	From 0 to 13 cm/s
Batteries	24V – 460 Ah
24V cc silent motor driven pump.....	3 kW
Ø x Front wheels width (mm)	580 x 204
Ø x Back wheels width (mm)	520 x 138

Standard equipment

- Anti-tilt system
- 3 hydraulic drive wheels **SRT** ^(*)
- Adjustable ground clearance
- 3X3, 3X2, 3XI switch
- Hydraulic drive assistance
- 90° swivel front wheels
- Automatic braking system
- Automatic parking brake
- Integrated electronic battery charger 220V~
- Wired remote control with potentiometer

Main options

- Hydraulic additional jib
- 40° hydraulic slewing ring
- Hydraulic winch 1000/2000 Kg
- Radio remote control



^(*) SRT : Solid Resilient Tires

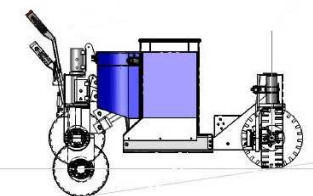
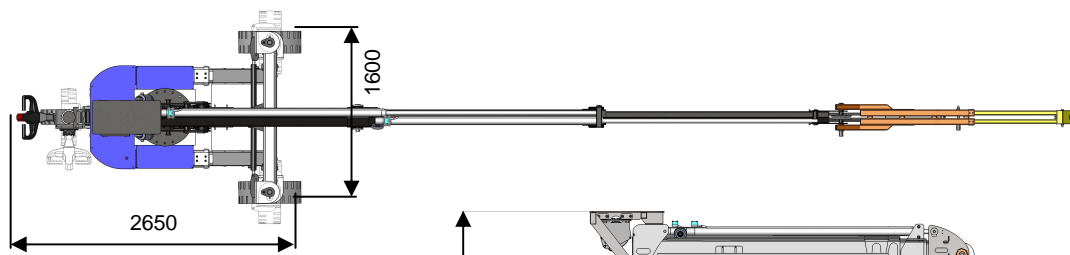
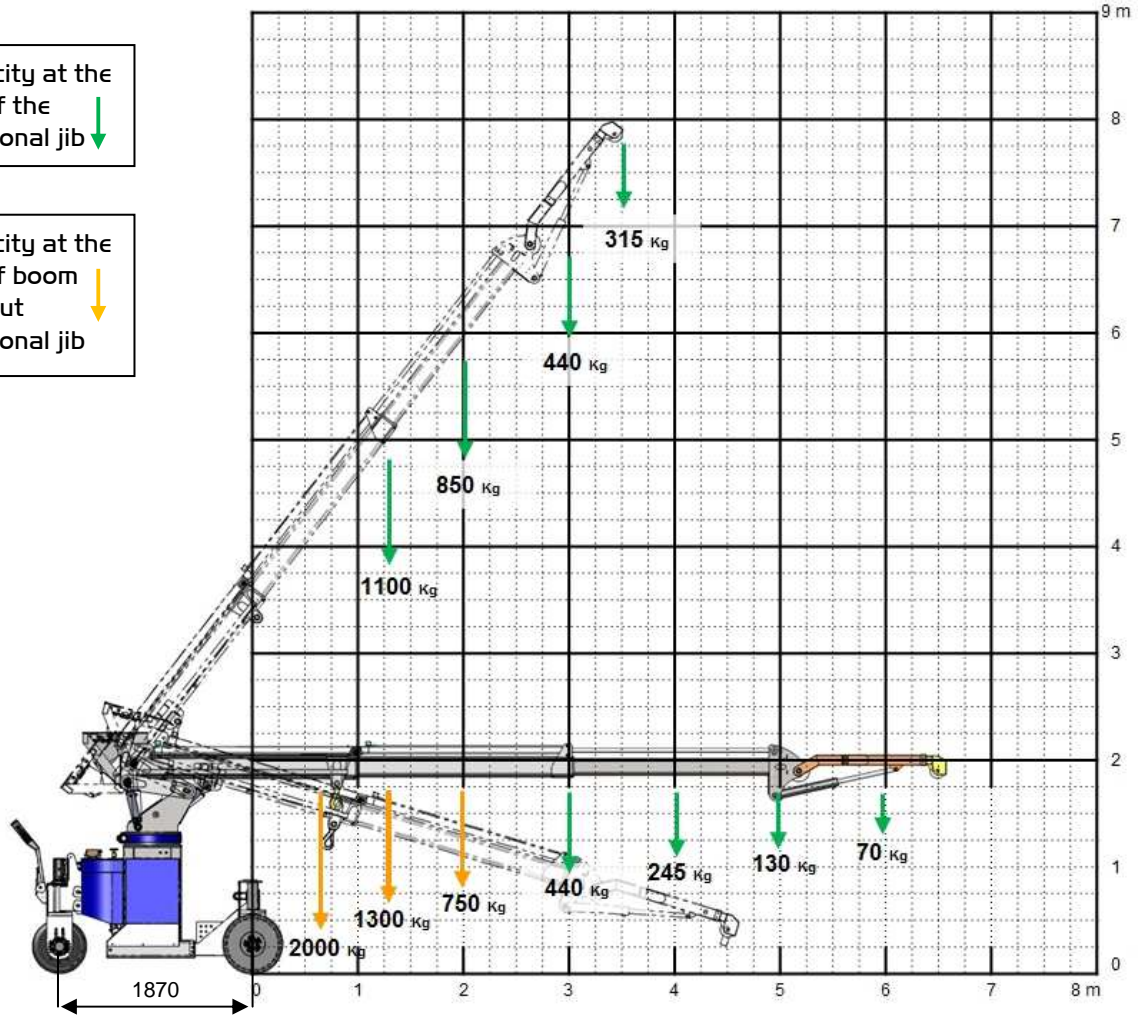
Technical sheet 25MT 3X3 TC

« All-road » self-propelled mini-crane with accompanying operator

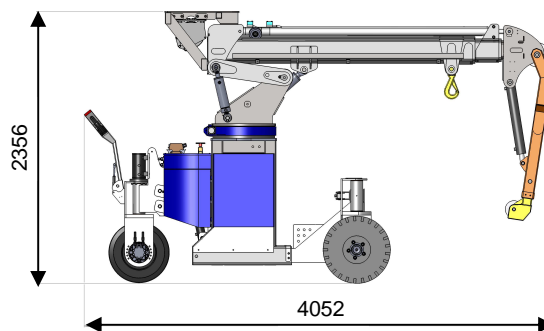
Version du 22/05/14

Capacity at the end of the additional jib ↓

Capacity at the end of boom without additional jib ↓



Adjustable ground clearance



Wired remote control 6 axes with potentiometer